



GUMIS

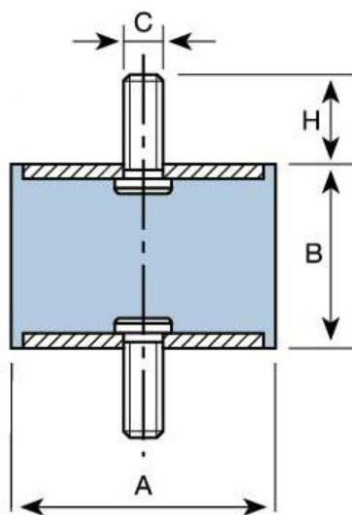
CUSTOM MADE SOLUTIONS

GUMENI NOSAČI 2021

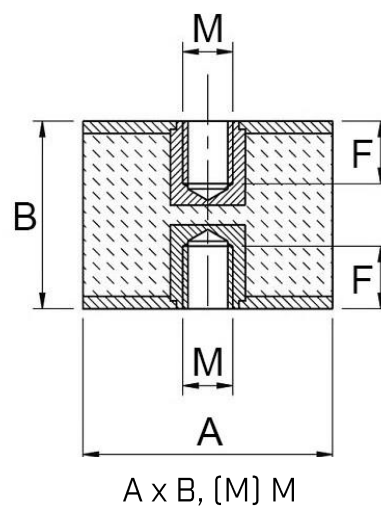


GUMENI CILINDAR NOSAČI

MJERA	ŠIFRA	MJERA	ŠIFRA
20X20, M6X16	D/90-616	15X15, M4	D/89
20X30, M6X16	D/91-616	20X20, M6	D/90
25X20, M8X20	D/92-820	20X30, M6	D/91
25X20, M6X18	D/92-618	25X20, M6	D/92
30X20, M8X23	D/94-823	25X30, M6	D/93
30X30, M8X23	D/95-823	30X20, M8	D/94
30X34, M8X12	D/96	30X30, M8	D/95
30X40, M8X23	D/97-823	35X20	D/97-3520
40X20, M8X23	D/98-823	40X30, M8	D/99
40X30, M8X23	D/99-823	40X30, M10	D/100
40X30, M10X28	D/100-1028	40X40, M8	D/101
40X40, M10X32	D/101-1032	50X30, M10	D/104
40X40, M10X28	D/101-1038	50X35, M10	D/104-10
50X20, M10X32	D/102-1032	50X40, M10	D/105
50X25, M10X28	D/103-1028	50X50, M10	D/107
50X30, M10X28	D/104-1028	60X40, M12	D/108
50X40, M10X28	D/105-1028	60x50, M10	D/109
50X45, M10X28	D/106-1028	100X50, M16	D/112
50X50, M10X28	D/107-1028	100X60, M16	D/113
60X40, M12X37	D/108-1236	100X75, M14	D/114
60X40, M14X36	D/108-1436	100X75, M12	D/115
75x40, M12x37	D/110-1236	120x80, M16	D/68
75x50, M12X37	D/111-1238		
100X75, M12x36	D/115-1236		



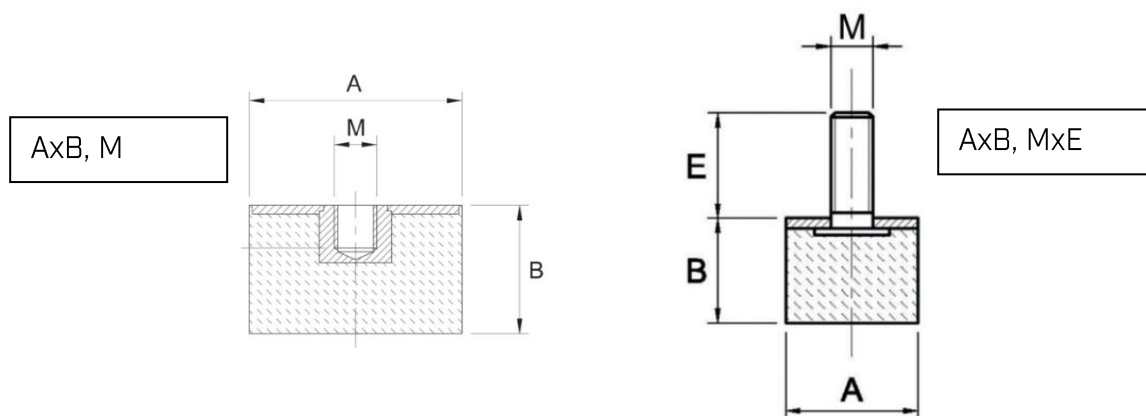
A x B, (M) C x H



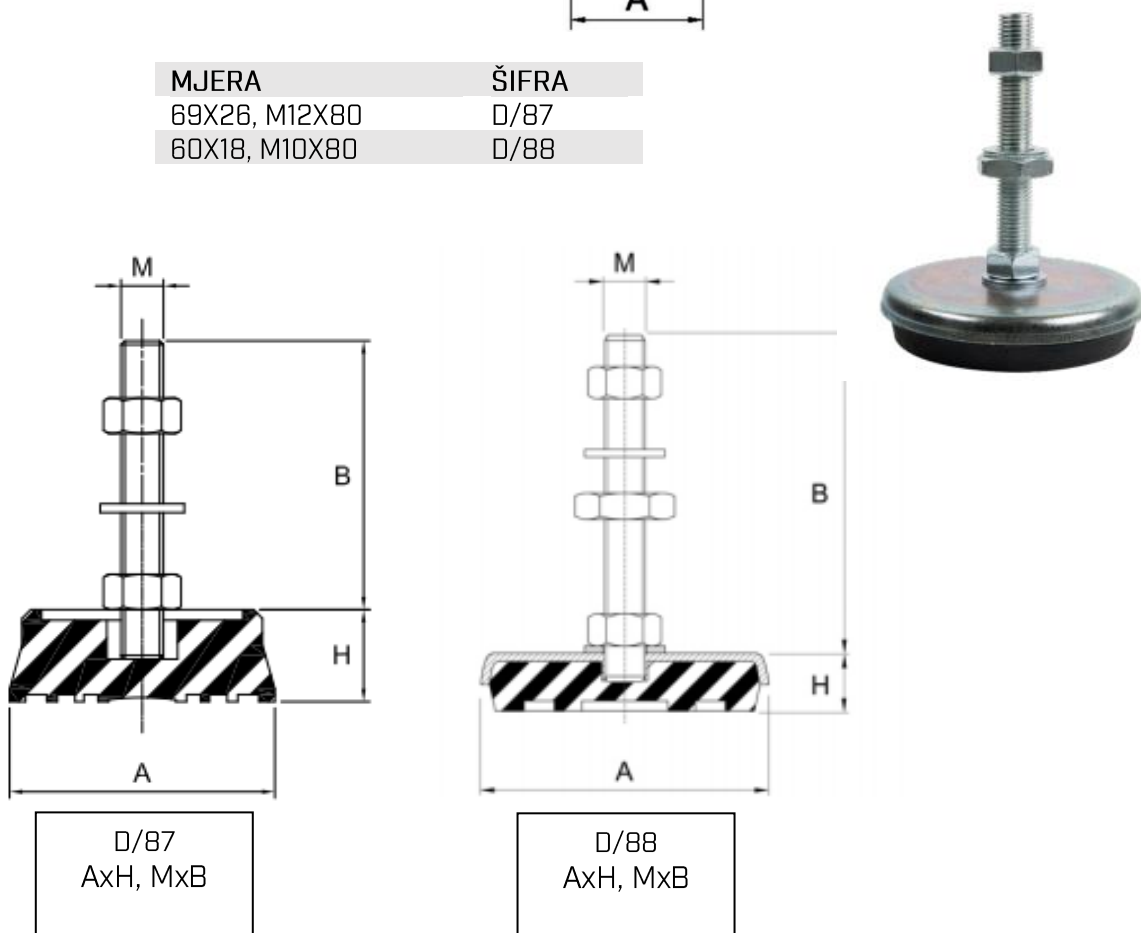
A x B, (M) M

GUMENI JEDNOSTRANI CILINDAR NOSAČI

MJERA	ŠIFRA
25X20, M8x20	D/92-820G
25x25, M6x18	D/92-618G
30x20, M8x23	D/94-823G
40x30, M10x28	D/100-1028G
25x20, M6	D/92G



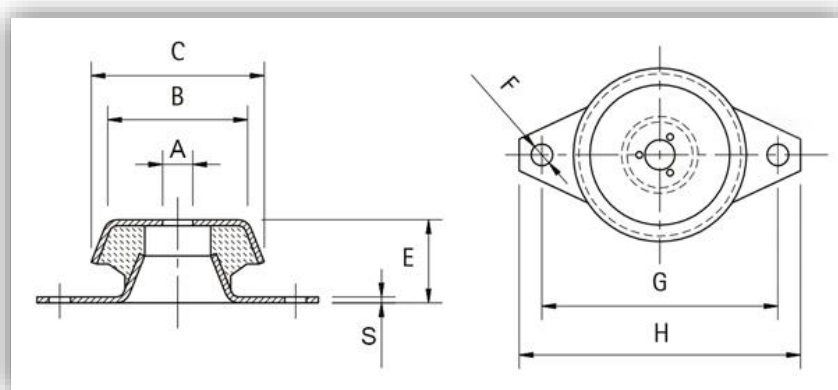
MJERA	ŠIFRA
69X26, M12X80	D/87
60X18, M10X80	D/88



ZVONASTI NOSAČ S RUPOM - SC

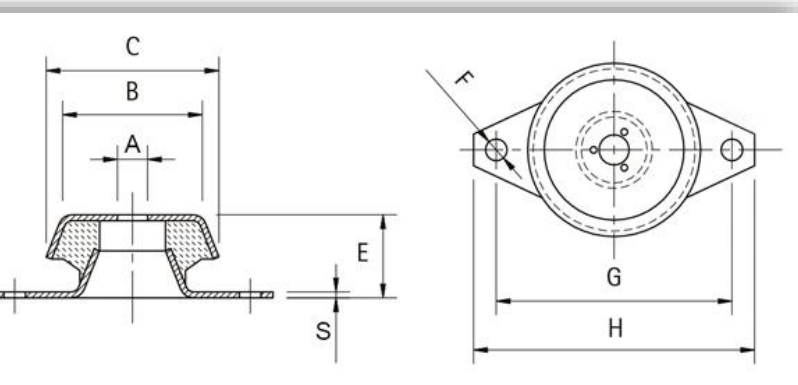


Šifra	A	C	B	G	H	F	W	S	TVRDOČA	NOSIVOST
D/122	8	48	38	68	80	6	23	2	60	190 kg
D/122-120	24	119	95	160	190	16	49	4	60	787 kg
D/122-160	30	158	125	200	230	16	60	5	60	2720 kg
D/122-5045	8	48	38	68	80	6	23	2	45	97 kg
D/122-6045	10	62	50	85	100	10	30	2	45	120 kg
D/122-9045	16	92	72	110	130	10	44	3	45	266 kg
D/122-12045	24	119	95	160	190	16	49	4	45	402 kg



ZVONASTI NOSAČ S NAVOJEM - SC/D

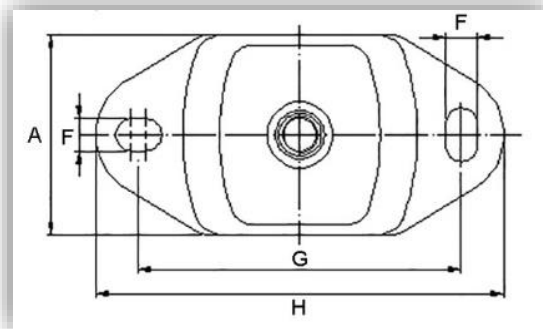
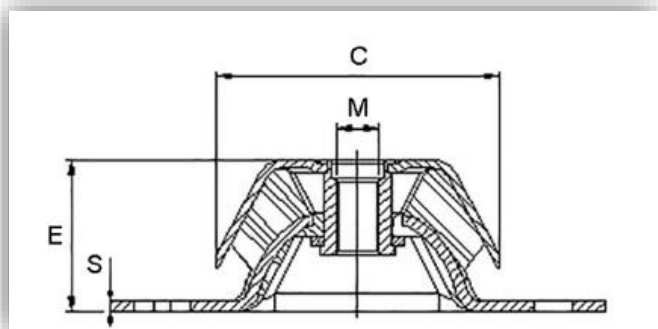
ŠIFRA	M	C	B	G	H	F	E	S	TVRDOČA	NOSIVOST
GR/1160-1	10MA	62	50	85	100	10	30	2	60	192 kg
D/123-6012	12MA	62	50	85	100	10	30	2	60	192 kg
GR/1160	12MA	92	72	110	130	10	44	3	60	380 kg
GR/1159	14MA	92	72	110	130	10	44	3	60	380 kg
GR/1158	16MA	92	72	110	130	10	44	3	60	380 kg
D/123-12016	16MA	119	95	160	190	16	49	4	60	787 kg
D/123-12024	24MA	119	95	160	190	16	49	4	60	787 kg
D/123-601045	10MA	62	50	85	100	10	30	2	45	120 kg
D/123-601245	12MA	62	50	85	100	10	30	2	45	120 kg
D/123-901245	12MA	92	72	110	130	10	44	3	45	266 kg
D/123-901445	14MA	92	72	110	130	10	44	3	45	266 kg



MARINE NOSAČ - MAR

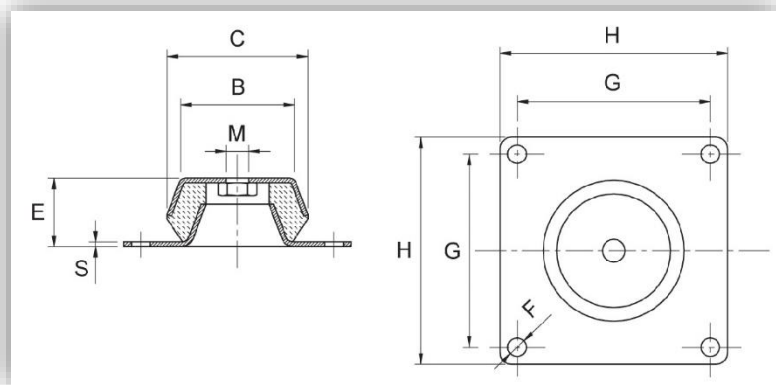


ŠIFRA	M	C	A	G	H	F	E	S	TVRDOĆA	NOSIVOST
D/123-8012	12MA	80	60	100	120	11	38	3	55	70 kg
D/123-10016	16MA	103,5	78	140	186	13	50	4	55	190 kg
D/123-13020	20MA	132	112	182	230	18	71	5	55	600 kg



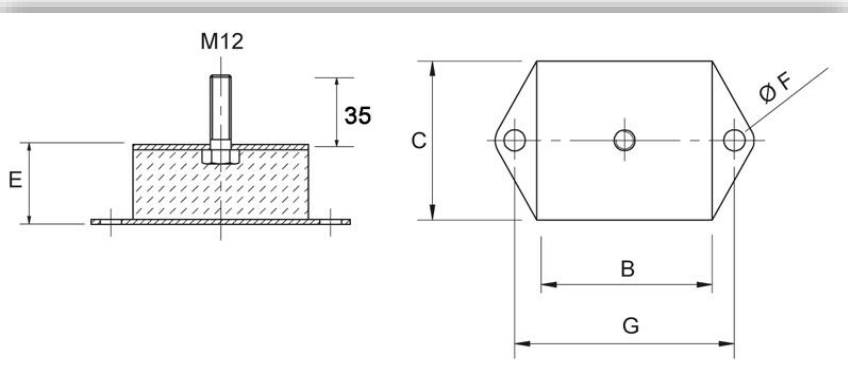
ČETVRTASTI ZVONASTI/NAVOJ NOSAČ - SCQ

ŠIFRA	M	C	B	G	H	F	E	S	TVRDOĆA	NOSIVOST
D/124-8012	16MA	150	110	132	168	13	51	4	60	2500 kg
D/124-10016	16MA	150	110	132	168	13	51	4	70	3825 kg
D/124-13020	20MA	175	125	150	180	13	63	4	60	1655 kg



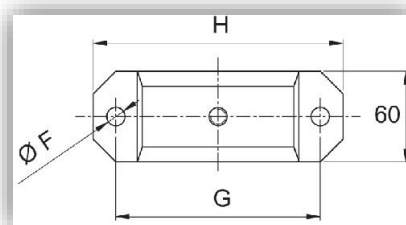
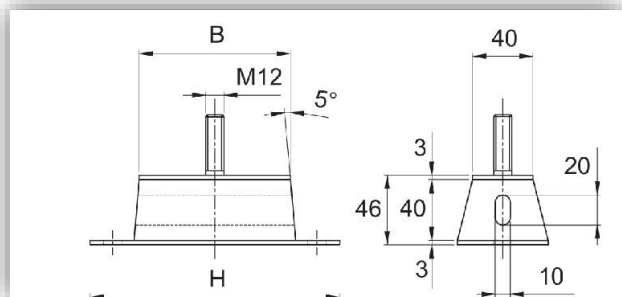
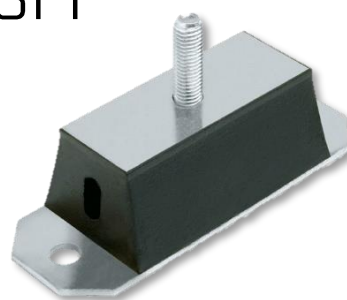
LONGLIFE NOSAČ - SL

ŠIFRA	C	B	G	E	F	NOSIVOST
D/125	70	80	105	53	11	950 kg



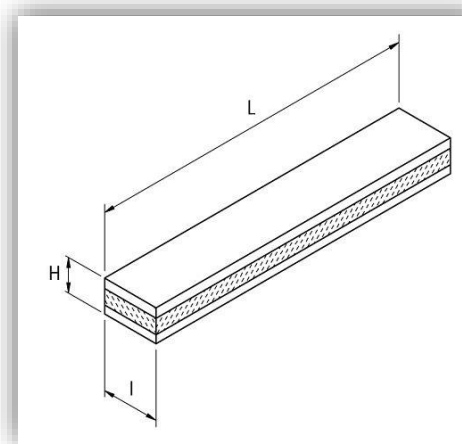
PRAVOKUTNI NOSAČ – SF/SFF

ŠIFRA	B	G	H	F	NOSIVOST
D/126-50	50	85	115	12,2	300 kg
D/126-100	100	135	165	12,2	500 kg
D/126-FF100	100	135	168	12,2	500 kg
D/126-150	150	185	215	12,2	750 kg
D/126-200	200	235	265	12,2	1000 kg



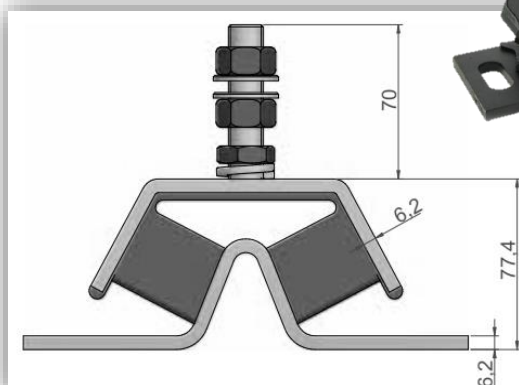
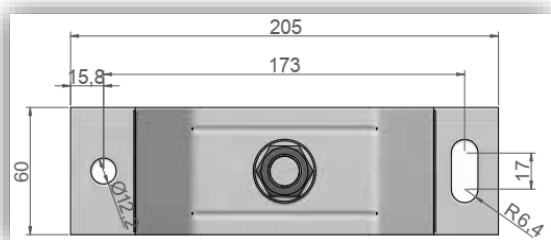
ANTIVIBRACIJSKA PLOČA - B

ŠIFRA	I	H	L	DEB. METALA	MAX PRITISAK
D/127-50	50	50	1000	10	20/cm ²
D/127-60	60	60	1000	10	20/cm ³
D/127-80	80	60	1000	10	20/cm ⁴
D/127-100	100	60	1000	10	20/cm ⁵



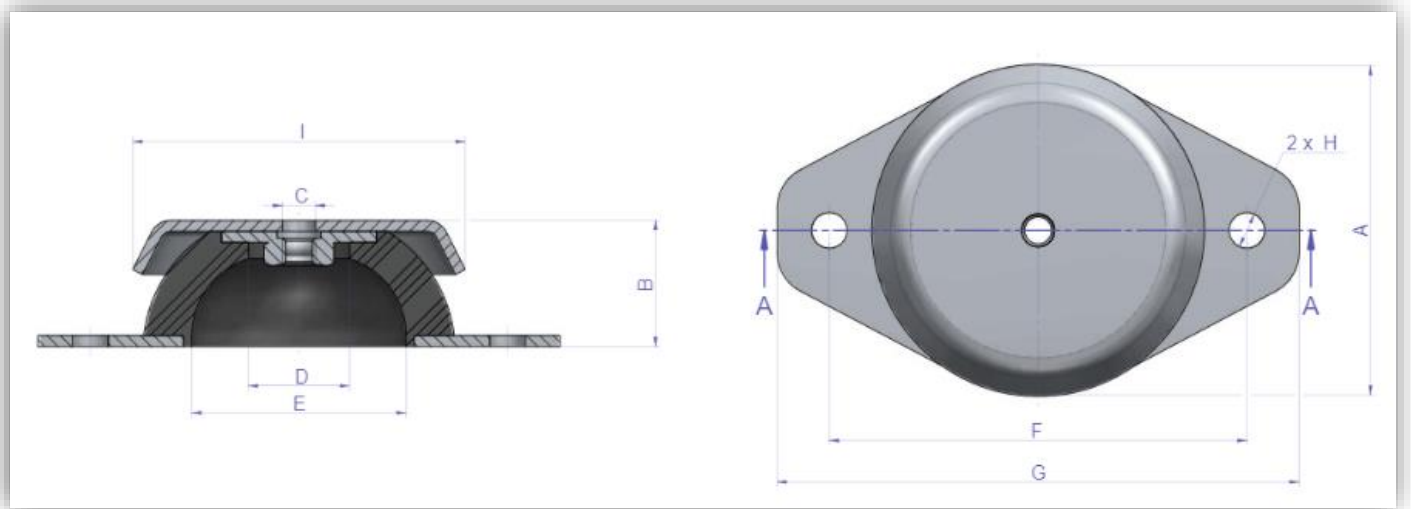
MARINE NOSAČ TIP - V

ŠIFRA	TEŽINA	NOSIVOST	TVRDOĆA
D/128-001	1720 g	40 kg	40 Sh
D/128-002	1720 g	75 kg	50 Sh
D/128-003	1720 g	100 kg	60 Sh
D/128-006	1720 g	150 kg	70 Sh



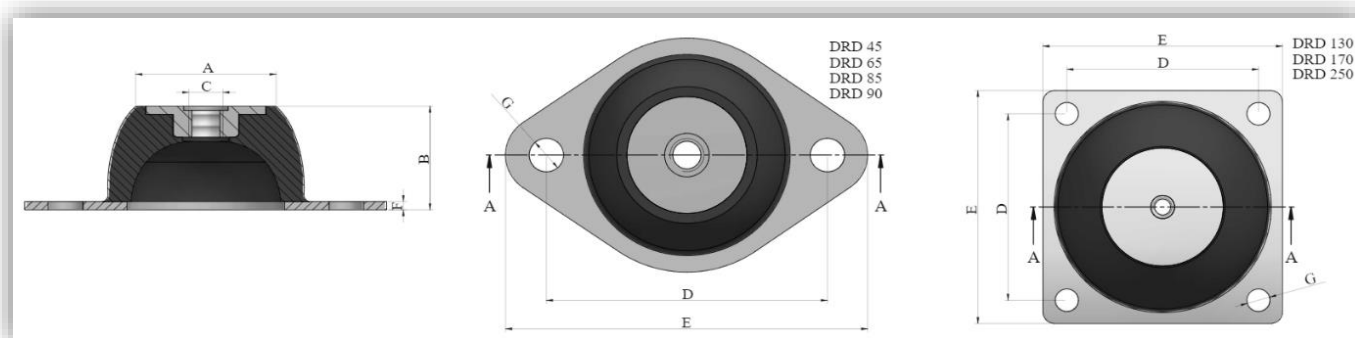
NOSAČ - DSD

ŠIFRA	TIP	A	B	C	D	E	F	G	H	TEŽINA	NOS.	TVRD.
D/130-028	DSD40										4 kg	45 Sh
D/130-029	+	43	20	M6	19	29	52	64	6,25	27 g	10 kg	60 Sh
D/130-030	zvono										15 kg	75 Sh
D/130-031	DSD										15 kg	45 Sh
D/130-032	60 +	60	24	M6	14	39	76	95	6,5	78 g	25 kg	60 Sh
D/130-033	zvono										45 kg	75 Sh
D/130-034	DSD										75 kg	45 Sh
D/130-035	80 +	86	27	M8	25	65	100	120	8,5	146 g	110 kg	60 Sh
D/130-036	zvono										150 kg	75 Sh
D/130-037	DSD										90 kg	45 Sh
D/130-038	100 +	100	28	M10	22	67	124	149	10,5	274 g	160 kg	60 Sh
D/130-039	zvono										220 kg	75 Sh
D/130-040	DSD										130 kg	45 Sh
D/130-041	150 +	150	39	M14	34	115	182	214	12	703 g	250 kg	60 Sh
D/130-042	zvono										350 kg	75 Sh
D/130-043	DSD										500 kg	45 Sh
D/130-044	200 +	200	44	M18	35	140	240	280	15	1758 g	825 kg	60 Sh
D/130-045	zvono										1250 kg	75 Sh



NOSAČ - DRD

ŠIFRA	TIP	A	B	C	D	E	F	G	TEŽINA	NOS.	TVRD.
D/129-081	DRD45	33	25	M8	66	85	2	8	70	20 kg	45 Sh
D/129-083										50 kg	60 Sh
D/129-001	DRD65	52	35	M10	92	114	2,5	10,5	170	40 kg	45 Sh
D/129-002										75 kg	60 Sh
D/129-003	DRD85	52	40	M10	110	136	3	11,5	303	75 kg	45 Sh
D/129-004										120 kg	60 Sh
D/129-013										185 kg	75 Sh
D/129-021	DRD90	57,5	45	M10	125	150	3	12,5	430	130 kg	45 Sh
D/129-022										220 kg	60 Sh
D/129-023										275 kg	75 Sh
D/129-031	DRD130	78	63	M12	120	150	5	14,5	1080	280 kg	45 Sh
D/129-032										500 kg	60 Sh
D/129-033										625 kg	75 Sh
D/129-036	DRD170	100	84	M16	160	200	4	14,5	2390	380 kg	45 Sh
D/129-037										750 kg	60 Sh
D/129-038										930 kg	75 Sh
D/129-041	DRD250	187	158	M24	250	310	6	18,8	10400	1400 kg	45 Sh
D/129-042										2500 kg	60 Sh
D/129-044										3150 kg	75 Sh



gumis@gumis.com.hr | (+385) 21 370 495

www.gumis.com.hr

Zoranićeva 38, 21210 Solin, Croatia

 [gumismanufacturing](https://www.instagram.com/gumismanufacturing)